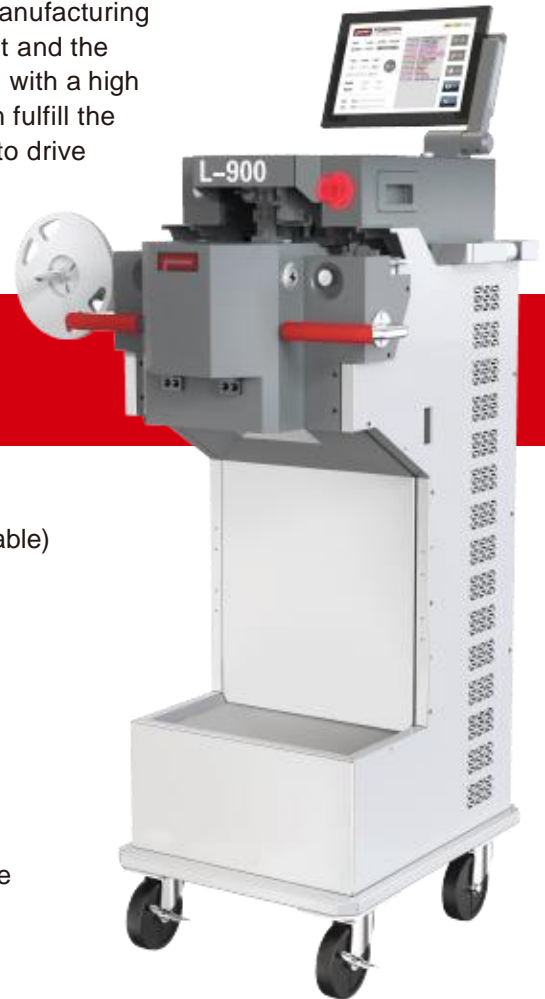


# SMT MULTI-FUNCTION SPLICING SYSTEM

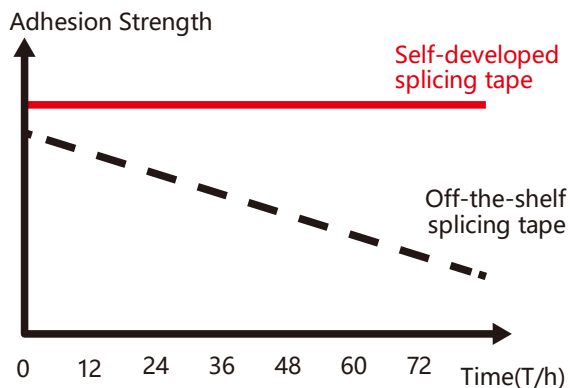
Automatic splicing machine is an integral part of the modern MES (Manufacturing Execution System) in the SMT factory. Integration requires equipment and the MES to work seamlessly, and also requires the equipment to function with a high degree of automation. L-900 Automatic splicing machine not only can fulfill the above requirements, but also deliver unsurpassed splicing reliability to drive improved yields and utilization.



## L-900

- Automatic splicing for 8\12\16\24mm width carrier tapes (01005 capable)
- Carrier tape thickness 0.25–1.4mm (paper) and 0.25-2.5mm (embossed) applicable
- Continuous operation for up to 16 hours once fully charged
- Up to 98% FPY
- Bluetooth and Wi-Fi connectivity to the factory MES
- Superior adhesive strength in comparison with traditional splice tape connector, thus enhancing splicing reliability
- Intelligent validation system incorporated to prevent operator errors
- Power-assisted (motor powered) wheels to facilitate movement on the shop floor
- Empty-pocket detection using vision inspection
- Intuitive graphic interface for easy operation

### Adhesion strength and durability



### Carrier Tape Vision Inspection System



### Proprietary placement head



### Different carrier tape widths

8mm Paper tape



8mm Embossed tape



12mm Embossed tape



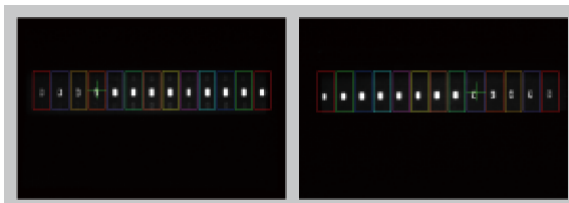
16mm Embossed tape



24mm Embossed tape



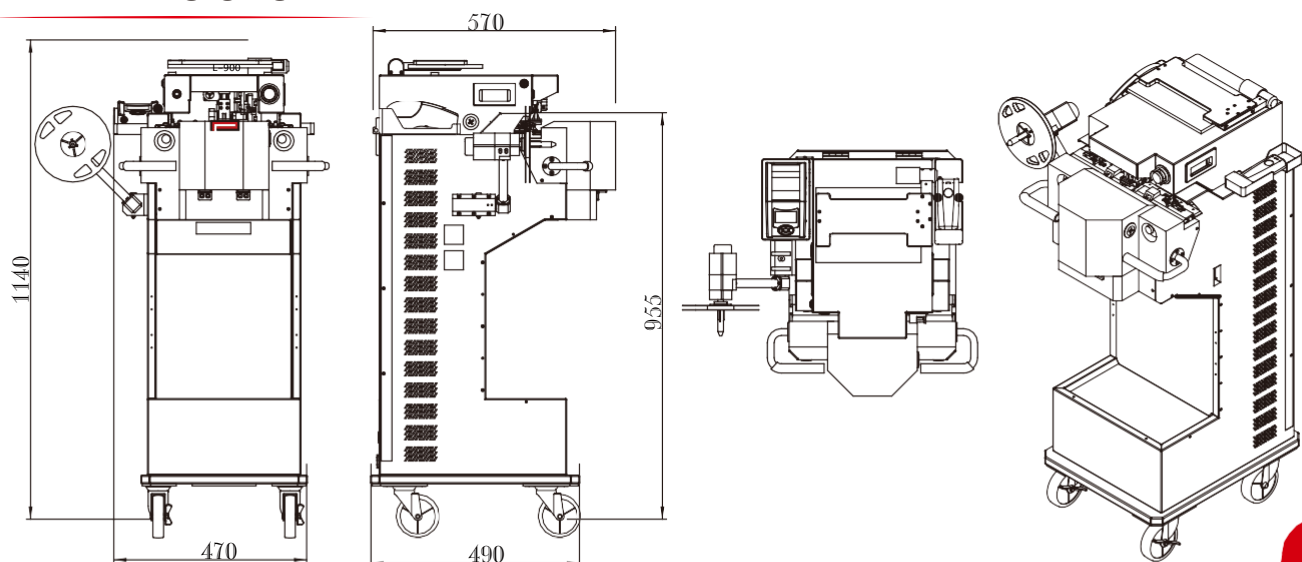
### Empty-pocket detection



## TECHNICAL SPECIFICATIONS

<b>Facilities Requirements</b>	Machine Dimension (mm)	470(W) × 570(L) × 1140(H)
	Weight	80 kg
	Safety	Fully enclosed design with safety interlock switches to protect operator
<b>Conveyor</b>	Conveyor Height (mm)	950
<b>Power Supply</b>	Power Source	60Ah Battery
	Operation Time (when fully charged)	12-16h
	Charging Voltage	24V DC
	Power	240W
<b>Motion System</b>	Repeatability (mm)	0.1
	Positioning Accuracy of splicing tape (mm)	±0.1
<b>Carrier Tape</b>	Automatic Width Adjustment (mm)	8 / 12 / 16 / 24
	Pitch (mm)	2 / 4 / 8 / 12 / 16 / 20 / 24
	Minimum Length for Splicing (mm)	170
<b>Component Reel</b>	Motorized Winder	Standard Configuration
	Reel Size (mm)	≤φ380 (consult Youngpool for special requirements)
<b>Splicing Rate</b>	Cycle Time (sec)	≤15 (not including loading time)
<b>Software and Programming</b>	Control	Computer Control
	Operating System	Windows Interface
	Communication with MES	Customizable
	Available Information	Barcode Information, Battery Level, Alarms, Parameter Settings, Splicing Records
<b>Options and Accessories</b>	Power-assisted wheels	Available as Option
	Label Printer	Available as Option
	Barcode Scanner	Standard Configuration
<b>Extension Port</b>	USB2.0	Standard Configuration

## DIMENSIONS



Shenzhen Youngpool Technology Co., Ltd

SZ Tel: +86 755 2782 3996 Fax: +86 755 2782 3995  
 Add: 2F, Block 13B, Wutong Island, Gushu, Baoan  
 District Shenzhen, PRC

<http://www.youngpool.com>

HK Tel: +852 2668 1868 Fax: +852 2668 1899  
 Add: Room 803, Chevalier House, 45-51 Chatham  
 Road South, Tsim Sha Tsui, Kowloon, Hong Kong

- Published in August 2020, All Rights Reserved
- All specifications are subject to change as a result of technical developments or advances. For questions on our products, please contact Youngpool Technology (information@youngpool.com) or our local representative(s)

